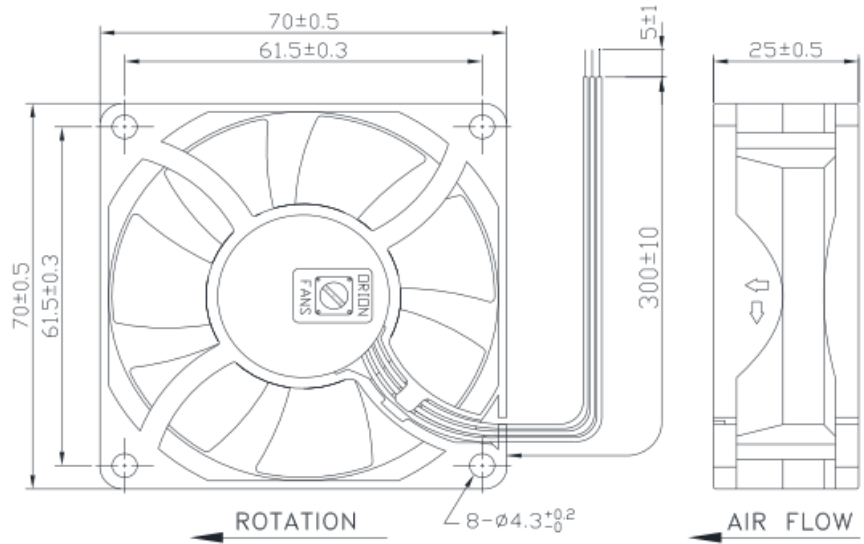


OD7025-12HBXC01A

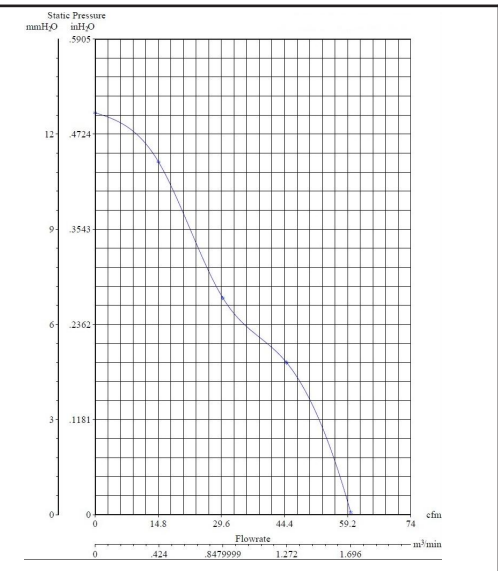


DC Fan, 12VDC

70x25mm (2.76x1.0in)



Frame & Impeller	PBT, UL94V-0 plastic	Available Options IP55 Other speeds and voltages Alarm Tachometer PWM *Connection: Wire Leads - UL1007 24AWG Red(+), Black (-), White Tachometer Weight: 90 g
Connection	3x Lead wires *	
Motor	Brushless DC, auto restart, polarity protected.	
Bearing System	Dual ball bearing	
Insulation Resistance	Min. 10M at 500VDC	
Dielectric Strength	1 second at 500VAC max leakage 500 microamp	
Temperature Range	-10C ~ +70C	
Storage Temperature	-40C ~ +80C	
Life (L10)	70,000 hours (40C)	



Model Number	OD7025-12HBXC01A
Part Number	114181221
Nominal Voltage	12 VDC
Voltage Range	7~13.2 VDC
Nominal Current	.62 A
Rated Power	9.6 Watts
Rated Speed (RPM)	6000
Airflow (CFM)	60
Noise Level (dB)	49.5
Max. Static Pressure	.50 "H ₂ O

*Output type.....Open collector type
 *Electrical design suggestion:
 (External signal function design is decided by customer)

*Transistor Q1 at "ON" position
 Collector current.....I_c=10mA Max
 Saturation Voltage.....V_{ce}=1.0V Max
 (Between Collector and Emitter at I_c=10mA)
 *Transistor Q1 at "OFF" position
 Release Voltage.....V_{ce}=15V Max

*Output waveform

Supply voltage: LOCK, LOCK RELEASE
 Fan rotation: LOCK, LOCK RELEASE
 Fan current: T < 10 SEC
 Locked signal: IF LOCKED MAYBE HIGH OR LOW

